



## Atex

The company has extensive experience in extreme environments where flammable materials, oxidising chemicals, salt solutions, acids and motor and vegetable oils are handled. Palazzoli is the absolute market leader in Atex products, explosion-proof equipment for high-risk environments. Power plants, chemical industries, oil platforms, military bases and refineries are just a few areas where lighting devices must prevent any propagation of sparks and ensure safe and reliable operation over time.



The company has consolidated experience in extreme environments, where the presence of oxidising chemicals, saline solutions, acids and motor and vegetable oils has forged the products for which Palazzoli is the absolute market leader.

The IE regulatory system, in particular with the IEC 60079-10 series of standards, which establishes the basic rules for electrical installations in places where there is a danger of explosion due to the presence of both gas and combustible dust, with regard to the classification of hazardous areas, refers to a particular calculation model, called the I IEC zone system.

This model is based on the determination of the probability of the formation of an explosive atmosphere and its persistence over time in the environments, which thus become fundamental parameters for the classification of hazardous areas.





**Danger**

**Gases - vapours**

**Dusts**

Permanent

**ZONE 0**

**ZONE 20**

Occasional

**ZONE 1**

**ZONE 21**

Not likely

**ZONE 2**

**ZONE 22**

Floodlights

Page 151

Light fixtures

Page 161

Pendant light fixtures

Page 171

Traditional

Page 179





# Floodlights

For environments where flammable gases and combustible dusts are present

# AteX



**TIGUA-EX**  
zone 1, 2, 21, 22  
5800 lm to 16550 lm  
Page 152



**XTIGUA-EX**  
zone 1, 2, 21, 22  
17350 lm to 33100 lm  
Page 154



**TIGUA-EX**  
zone 2, 21, 22  
6300 lm to 18000 lm  
Page 156



**XTIGUA-EX**  
zone 2, 21, 22  
19600 lm to 36900 lm  
Page 158



## TIGUA-EX | Zone 1, 2, 21, 22 | floodlight



Atex execution - Gas	II 2G - Ex eb mb IIC T5 Gb
Atex execution - Dust	II 2D Ex tb IIIC T 85 °C Db
Body material	Low-copper aluminium alloy EN 44300
Surface treatment	Fluorozirconate passivation
Surface finish	Non-toxic, hot-polymerised polyester paint
Colour	RAL 9005
Diffuser material	Extra clear tempered glass
Protection rating	IP66 according to IEC 60079-0 and 60598-1
Impact resistance	IK08 according to IEC 62262
Corrosion class	C5-M / C4-H (ISO 9223)
Mounting system	U-bracket with -135° to +135° adjustment
Ambient operating temperature	-35 °C - +50 °C (-40 °C on request)
Ambient storage temperature	-40 °C - +70 °C
Actual efficacy of the device	Up to 115 lm/W
Colour temperature	4000K
Optics features	UV-stabilised polycarbonate lens sealed to LED module by silicone resin
Colour rendering index values	CRI≥80 according to EN 62717
Colour consistency	MacAdam 4-step
Photobiological risk	RG0 - Exempt Group (EN 62471)
Residual flicker	<4%
Luminous flux maintenance	L90 B10 110,000 h Tq=+40 °C L90 B10 230,000 h Tq=+25 °C
Insulation class	I
Supply voltage	110V-277V 50W/72W/101W 160V 144W 0/50/60 Hz
Surge protection	6 kV common and differential modes according to EN61000-4-5
Power factor	>0.95
Type of power supply	Spring clamps and M20 cable gland
Max. conductor cross-section	1-2.5 mm²
Entry cable diameter	10-14 mm

Versions with colour temperatures from 3000K to 6500K and ambient temperatures down to -40°C are available.

PALAZZOLI ATEX junction boxes certified for zone 1, 2, 21, 22, complete with cable glands and terminals for the entry of cables with larger diameters and/or for through wiring, are available.



## WARRANTY

2 YEARS OPTIONALLY EXTENDABLE TO 7



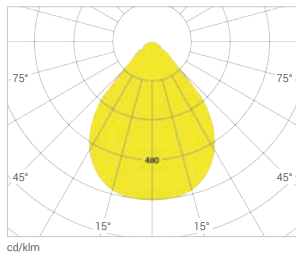
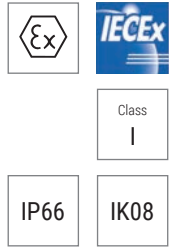
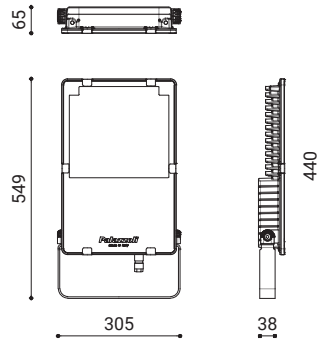
## DIRECTIVES

2014/30/EU (EMC)  
2014/34/EU (ATEX)  
2011/65/EU (RoHS)  
2012/19/EU (WEEE)

## PRODUCT STANDARDS

EN 55015  
EN 60079-0  
EN 60079-18  
EN 60079-31  
EN 60079-7  
EN 60598-1  
EN 60598-2-1  
EN 60598-2-5  
EN 60598-2-22  
EN 61000-3-2  
EN 61000-3-3  
EN 61547  
EN 62311  
EN 62493  
EN 62471  
IEC/TR 62778  
EN 63000

TIGUA-EX | Zone 1, 2, 21, 22 | floodlight



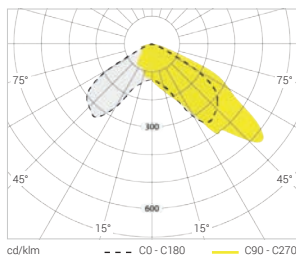
Symmetrical 81° extra wide beam optics

Included: wall bracket.  
The stated flux and power values may be subject to a +/- 7% tolerance.

2G - 2D



No. of LEDs	Power (W)	Nominal flux (lm)Tj=25 °C	Output flux (lm)Tq=25 °C	Diffuser	Efficacy (lm/W)	Max. ambient temperature (°C)	Version	Weight (kg)	Code
12	50	6980	5808	Glass	115	+50	DALI	6.50	<b>817021EX</b>
12	72	9950	8280	Glass	115	+40	DALI	6.50	<b>817022EX</b>
24	101	13950	11615	Glass	115	+50	DALI	7.10	<b>817023EX</b>
24	144	19850	16560	Glass	115	+40	DALI	7.10	<b>817024EX</b>



Asymmetrical 50° extra wide beam optics

Included: wall bracket.  
The stated flux and power values may be subject to a +/- 7% tolerance.

2G - 2D



No. of LEDs	Power (W)	Nominal flux (lm)Tj=25 °C	Output flux (lm)Tq=25 °C	Diffuser	Efficacy (lm/W)	Max. ambient temperature (°C)	Version	Weight (kg)	Code
12	50	6980	5808	Glass	115	+50	DALI	6.50	<b>817221EX</b>
12	72	9950	8280	Glass	115	+40	DALI	6.50	<b>817222EX</b>
24	101	13950	11615	Glass	115	+50	DALI	7.10	<b>817223EX</b>
24	144	19850	16560	Glass	115	+40	DALI	7.10	<b>817224EX</b>

Accessories TIGUA-EX on page 83

## XTIGUA-EX | Zone 1, 2, 21, 22 | floodlight



Atex execution - Gas	II 2G - Ex eb mb IIC T5 Gb
Atex execution - Dust	II 2D Ex tb IIIC T 85 °C Db
Body material	Low-copper aluminium alloy EN 44300
Surface treatment	Fluorozirconate passivation
Surface finish	Non-toxic, hot-polymerised polyester paint
Colour	RAL 9005
Diffuser material	Extra clear tempered glass
Protection rating	IP66 according to IEC 60079-0 and 60598-1
Impact resistance	IK08 according to IEC 62262
Corrosion class	C5-M / C4-H (ISO 9223)
Mounting system	U-bracket with -110° to +110° adjustment
Ambient operating temperature	-35 °C - +50 °C (-40 °C on request)
Ambient storage temperature	-40°C - +70°C
Actual efficacy of the device	Up to 115 lm/W
Colour temperature	4000K
Optics features	UV-stabilised polycarbonate lens sealed to LED module by silicone resin
Colour rendering index values	CRI≥80 according to EN 62717
Colour consistency	MacAdam 4-step
Photobiological risk	RG0 - Exempt Group (EN 62471)
Residual flicker	<4%
Luminous flux maintenance	L90 B10 110,000 h Tq=+40 °C L90 B10 230,000 h Tq=+25 °C
Insulation class	I
Supply voltage	110V-277V 151W/216W/201W 160V-277V 288W 0/50/60Hz
Surge protection	6 kV common and differential modes according to EN61000-4-5
Power factor	>0.95
Type of power supply	Spring clamps and M20 cable gland
Max. conductor cross-section	1-2.5 mm²
Entry cable diameter	10-14 mm



## WARRANTY

2 YEARS OPTIONALLY EXTENDABLE TO 7



## DIRECTIVES

2014/30/EU (EMC)  
2014/34/EU (ATEX)  
2011/65/EU (RoHS)  
2012/19/EU (WEEE)

## PRODUCT STANDARDS

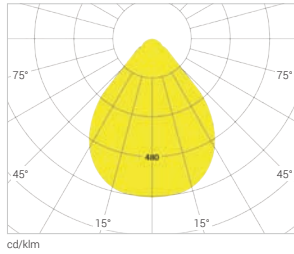
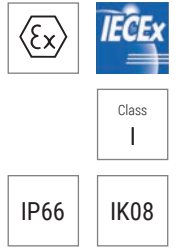
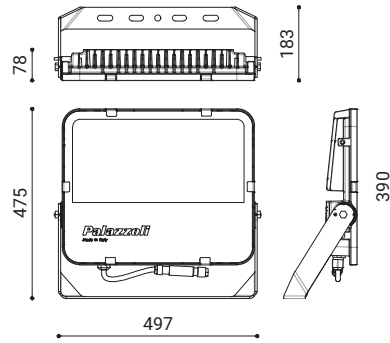
EN 55015  
EN 60079-0  
EN 60079-18  
EN 60079-31  
EN 60079-7  
EN 60598-1  
EN 60598-2-1  
EN 60598-2-5  
EN 60598-2-22  
EN 61000-3-2  
EN 61000-3-3  
EN 61547  
EN 62311  
EN 62493  
EN 62471  
IEC/TR 62778  
EN 63000

Versions with colour temperatures from 3000K to 6500K and ambient temperatures down to -40°C are available.

PALAZZOLI ATEX junction boxes certified for zone 1, 2, 21, 22, complete with cable glands and terminals for the entry of cables with larger diameters and/or for through wiring, are available.



XTIGUA-EX | Zone 1, 2, 21, 22 | floodlight



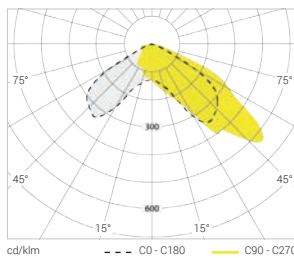
Symmetrical 81° extra wide beam optics

Included: wall bracket.  
The stated flux and power values may be subject to a +/- 7% tolerance.

2G - 2D



No. of LEDs	Power (W)	Nominal flux (lm)Tj=25 °C	Output flux (lm)Tq=25 °C	Diffuser	Efficacy (lm/W)	Max. ambient temperature (°C)	Version	Weight (kg)	Code
36	151	20900	17365	Glass	115	+50	DALI	9.00	<b>818021EX</b>
36	216	29800	24840	Glass	115	+40	DALI	9.00	<b>818022EX</b>
48	201	27800	23115	Glass	115	+50	DALI	9.50	<b>818023EX</b>
48	288	39800	33120	Glass	115	+40	DALI	9.50	<b>818024EX</b>



Asymmetrical 50° extra wide beam optics

Included: wall bracket.  
The stated flux and power values may be subject to a +/- 7% tolerance.

2G - 2D



No. of LEDs	Power (W)	Nominal flux (lm)Tj=25 °C	Output flux (lm)Tq=25 °C	Diffuser	Efficacy (lm/W)	Max. ambient temperature (°C)	Version	Weight (kg)	Code
36	151	20900	17365	Glass	115	+50	DALI	9.00	<b>818221EX</b>
36	216	29800	24840	Glass	115	+40	DALI	9.00	<b>818222EX</b>
48	201	27800	23115	Glass	115	+50	DALI	9.50	<b>818223EX</b>
48	288	39800	33120	Glass	115	+40	DALI	9.50	<b>818224EX</b>

Accessories XTIGUA-EX on page 97

## TIGUA-EX | Zone 2, 21, 22 | floodlight



Atex execution - Gas	II 3G - Ex ec mc IIC T5 Gc
Atex execution - Dust	II 2D - Ex tb IIIC T 85 °C Db
Body material	Low-copper aluminium alloy EN 44300
Surface treatment	Fluorozirconate passivation
Surface finish	Non-toxic, hot-polymerised polyester paint
Colour	RAL 9005
Diffuser material	Extra clear tempered glass
Protection rating	IP66 according to IEC 60079-0 and 60598-1
Impact resistance	IK08 according to IEC 62262
Corrosion class	C5-M / C4-H (ISO 9223)
Mounting system	U-bracket with -135° to +135° adjustment
Ambient operating temperature	-35 °C - +50 °C (-40 °C on request)
Ambient storage temperature	-40 °C - +70 °C
Actual efficacy of the device	Up to 125 lm/W
Colour temperature	4000K
Optics features	Non-ageing, UV-resistant PMMA lenses with > 90% efficiency and > 95% transparency
Colour rendering index values	CRI≥70 according to EN 62717
Colour consistency	MacAdam 4-step
Photobiological risk	RG0 - Exempt Group (EN 62471)
Residual flicker	<4%
Luminous flux maintenance	L90 B10 110,000 h Tq=+40 °C L90 B10 230,000 h Tq=+25 °C
Insulation class	I
Supply voltage	110V-277V 50W/72W/101W 160V-277V 144W 0/50/60Hz
Surge protection	6 kV common and differential modes according to EN61000-4-5
Power factor	>0.95
Type of power supply	Spring clamps and M20 cable gland
Max. conductor cross-section	1-2.5 mm <sup>2</sup>
Entry cable diameter	10-14 mm



## WARRANTY

2 YEARS OPTIONALLY EXTENDABLE TO 7



## DIRECTIVES

2014/30/EU (EMC)  
2014/34/EU (ATEX)  
2011/65/EU (RoHS)  
2012/19/EU (WEEE)

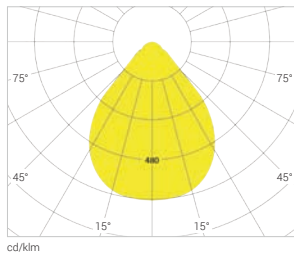
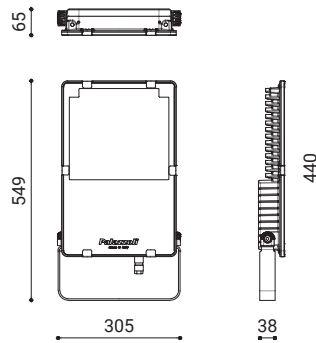
## PRODUCT STANDARDS

EN 55015  
EN 60079-0  
EN 60079-18  
EN 60079-31  
EN 60079-7  
EN 60598-1  
EN 60598-2-1  
EN 60598-2-5  
EN 60598-2-22  
EN 61000-3-2  
EN 61000-3-3  
EN 61547  
EN 62311  
EN 62493  
EN 62471  
IEC/TR 62778  
EN 63000

Versions with colour temperatures from 3000K to 6500K and ambient temperatures down to -40°C are available.

PALAZZOLI ATEX junction boxes certified for zone 1, 2, 21, 22, complete with cable glands and terminals for the entry of cables with larger diameters and/or for through wiring, are available.

## TIGUA-EX | Zone 2, 21, 22 | floodlight



## Symmetrical 81° extra wide beam optics

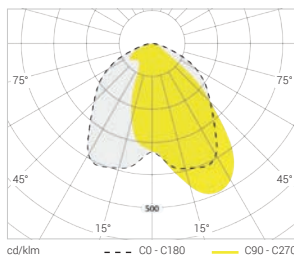
Included: wall bracket.

The stated flux and power values may be subject to a +/- 7% tolerance.

## 3G - 2D



No. of LEDs	Power (W)	Nominal flux (lm)Tj=25 °C	Output flux (lm)Tq=25 °C	Diffuser	Efficacy (lm/W)	Max. ambient temperature (°C)	Version	Weight (kg)	Code
12	50	7600	6312	Glass	125	+50	DALI	6.50	<b>837021EX</b>
12	72	10800	9000	Glass	125	+40	DALI	6.50	<b>837022EX</b>
24	101	15150	12625	Glass	125	+50	DALI	7.10	<b>837023EX</b>
24	144	21600	18000	Glass	125	+40	DALI	7.10	<b>837024EX</b>



## Asymmetrical 23° extra wide beam optics

Included: wall bracket.

The stated flux and power values may be subject to a +/- 7% tolerance.

## 3G - 2D



No. of LEDs	Power (W)	Nominal flux (lm)Tj=25 °C	Output flux (lm)Tq=25 °C	Diffuser	Efficacy (lm/W)	Max. ambient temperature (°C)	Version	Weight (kg)	Code
12	50	7600	6312	Glass	125	+50	DALI	6.50	<b>837221EX</b>
12	72	10800	9000	Glass	125	+40	DALI	6.50	<b>837222EX</b>
24	101	15150	12625	Glass	125	+50	DALI	7.10	<b>837223EX</b>
24	144	21600	18000	Glass	125	+40	DALI	7.10	<b>837224EX</b>

Accessories TIGUA-EX on page 83



## XTIGUA-EX | Zone 2, 21, 22 | floodlight



Atex execution - Gas	II 3G - Ex ec mc IIC T5 Gc
Atex execution - Dust	II 2D Ex tb IIIC T 85 °C Db
Body material	Low-copper aluminium alloy EN 44300
Surface treatment	Fluorozirconate passivation
Surface finish	Non-toxic, hot-polymerised polyester paint
Colour	RAL 9005
Diffuser material	Extra clear tempered glass
Protection rating	IP66 according to IEC 60079-0 and 60598-1
Impact resistance	IK08 according to IEC 62262
Corrosion class	C5-M / C4-H (ISO 9223)
Mounting system	U-bracket with -110° to +110° adjustment
Ambient operating temperature	-35 °C - +50 °C (-40 °C on request)
Ambient storage temperature	-40 °C - +70 °C
Actual efficacy of the device	Up to 130 lm/W
Colour temperature	4000K
Optics features	Non-ageing, UV-resistant PMMA lenses with > 90% efficiency and > 95% transparency
Colour rendering index values	CRI≥70 according to EN 62717
Colour consistency	MacAdam 4-step
Photobiological risk	RG0 - Exempt Group (EN 62471)
Residual flicker	<4%
Luminous flux maintenance	L90 B10 110,000 h Tq=+40 °C L90 B10 230,000 h Tq=+25 °C
Insulation class	I
Supply voltage	110V-277V 151W/201W 160V-277V 216W/288W 0/50/60Hz
Surge protection	6 kV common and differential modes according to EN61000-4-5
Power factor	>0.95
Type of power supply	Spring clamps and M20 cable gland
Max. conductor cross-section	1-2.5 mm <sup>2</sup>
Entry cable diameter	10-14 mm



## WARRANTY

2 YEARS OPTIONALLY EXTENDABLE TO 7



## DIRECTIVES

2014/30/EU (EMC)  
2014/34/EU (ATEX)  
2011/65/EU (RoHS)  
2012/19/EU (WEEE)

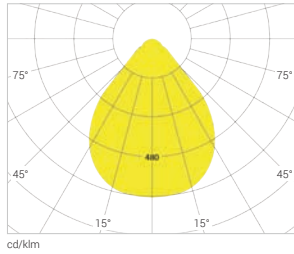
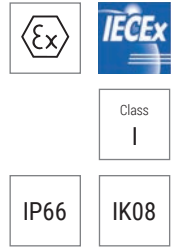
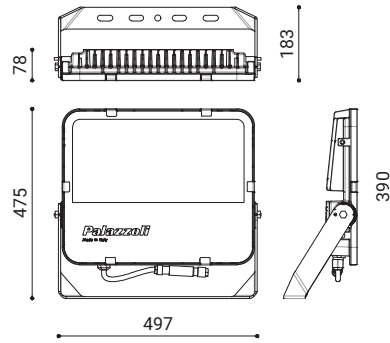
## PRODUCT STANDARDS

EN 55015  
EN 60079-0  
EN 60079-18  
EN 60079-31  
EN 60079-7  
EN 60598-1  
EN 60598-2-1  
EN 60598-2-5  
EN 60598-2-22  
EN 61000-3-2  
EN 61000-3-3  
EN 61547  
EN 62311  
EN 62493  
EN 62471  
IEC/TR 62778  
EN 63000

Versions with colour temperatures from 3000K to 6500K and ambient temperatures down to -40°C are available.

PALAZZOLI ATEX junction boxes certified for zone 1, 2, 21, 22, complete with cable glands and terminals for the entry of cables with larger diameters and/or for through wiring, are available.

XTIGUA-EX | Zone 2, 21, 22 | floodlight



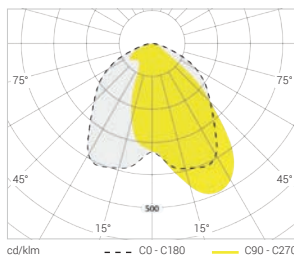
Symmetrical 81° extra wide beam optics

Included: wall bracket.  
The stated flux and power values may be subject to a +/- 7% tolerance.

3G - 2D



No. of LEDs	Power (W)	Nominal flux (lm)Tj=25 °C	Output flux (lm)Tq=25 °C	Diffuser	Efficacy (lm/W)	Max. ambient temperature (°C)	Version	Weight (kg)	Code
36	151	23600	19630	Glass	130	+50	DALI	9.00	<b>838021EX</b>
36	216	33200	27648	Glass	128	+40	DALI	9.00	<b>838022EX</b>
48	201	31500	26208	Glass	130	+50	DALI	9.50	<b>838023EX</b>
48	288	44300	36864	Glass	128	+40	DALI	9.50	<b>838024EX</b>



Asymmetrical 23° extra wide beam optics

Included: wall bracket.  
The stated flux and power values may be subject to a +/- 7% tolerance.

3G - 2D



No. of LEDs	Power (W)	Nominal flux (lm)Tj=25 °C	Output flux (lm)Tq=25 °C	Diffuser	Efficacy (lm/W)	Max. ambient temperature (°C)	Version	Weight (kg)	Code
36	151	23600	19630	Glass	130	+50	DALI	9.00	<b>838221EX</b>
36	216	33200	27648	Glass	128	+40	DALI	9.00	<b>838222EX</b>
48	201	31500	26208	Glass	130	+50	DALI	9.50	<b>838223EX</b>
48	288	44300	36864	Glass	128	+40	DALI	9.50	<b>838224EX</b>

Accessories XTIGUA-EX on page 97









## Light fixtures

For environments where flammable gases and combustible dusts are present

# Atex



**RINOLED-EX**  
zone 1, 2, 21, 22

3400 lm to 12350 lm  
Page 162



**RINOLED-EX**  
zone 2, 21, 22

3560 lm to 9430 lm  
Page 165

## RINOLED-EX | Zone 1, 2, 21, 22



Atex execution - Gas	<b>II 2G - Ex eb mb IIC T6/T5 Gb</b>
Atex execution - Dust	<b>II 2D - Ex tb IIIC T 85 °C Db</b>
Body material	<b>AISI 304 stainless steel</b>
Surface treatment	<b>Natural finish</b>
Diffuser material	<b>Extra clear tempered glass</b>
Protection rating	<b>IP66 - IP65 according to IEC 60079-0 and 60598-1</b>
Impact resistance	<b>IK09 as per IEC 62262</b>
Corrosion class	<b>C5 AISI 304 stainless steel (ISO 9223)</b>
Mounting system	<b>Pair of eyebolts in AISI 304 stainless steel</b>
Ambient operating temperature	<b>-35 °C - +60 °C (-40 °C on request) 0 °C - +45 °C (emergency versions)</b>
Ambient storage temperature	<b>-40 °C - +75 °C -20 °C - +60 °C (emergency versions)</b>
Actual efficacy of the device	<b>Up to 148 lm/W</b>
Colour temperature	<b>4000K</b>
Optics features	<b>Non-ageing- and UV-resistant silicone resin with &gt; 95% efficiency</b>
Colour rendering index values	<b>CRI≥80 according to EN 62717</b>
Photobiological risk	<b>RG0 - Exempt Group (EN 62471)</b>
Residual flicker	<b>&lt;4%</b>
Luminous flux maintenance	<b>L80 B10 50,000 h Tq=+25°C</b>
Insulation class	<b>I</b>
Supply voltage	<b>220V-240V~ - 180-240Vdc 0/50/60Hz</b>
Surge protection	<b>6 kV common and differential modes according to EN61000-4-5</b>
Power factor	<b>&gt;0.95</b>
Type of power supply	<b>Spring clamps and M20 cable gland</b>
Max. conductor cross-section	<b>1-2.5 mm²</b>
Entry cable diameter	<b>10-14 mm</b>

**WARRANTY**

2 YEARS OPTIONALLY EXTENDABLE TO 7

**DIRECTIVES**

2014/30/EU (EMC)  
2014/34/EU (ATEX)  
2011/65/EU (RoHS)  
2012/19/EU (WEEE)

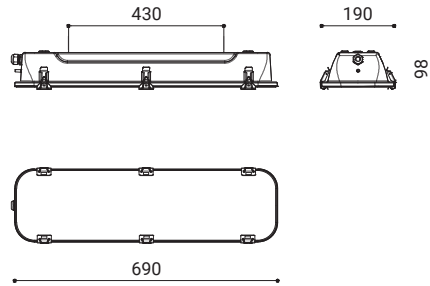
**PRODUCT STANDARDS**

EN 55015  
EN 60079-0  
EN 60079-18  
EN 60079-31  
EN 60079-7  
EN 60598-1  
EN 60598-2-1  
EN 60598-2-22  
EN 61000-3-2  
EN 61000-3-3  
EN 61547  
EN 62311  
EN 62493  
EN 62471  
IEC/TR 62778  
EN 63000

**Feed-through wiring versions in AISI 316L stainless steel and with colour temperatures from 3000K to 6500K are available.**

**PALAZZOLI ATEX junction boxes certified for zone 1, 2, 21, 22, complete with cable glands and terminals for the entry of cables with larger diameters and/or for through wiring, are available.**

RINOLED-EX | Zone 1, 2, 21, 22 | 690 mm

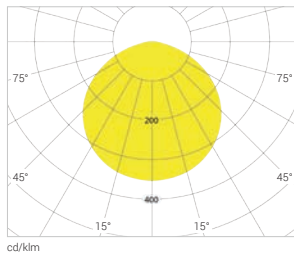


Class I

IP65

IP66

IK09



Symmetrical 110° extra wide beam optics

Included: pair of AISI 304 stainless steel eyebolts for pendant mounting.  
The stated flux and power values may be subject to a +/-7% tolerance.

2G - 2D  
Stainless steel



No. of LEDs	Power (W)	Nominal flux (lm)Tj=25 °C	Output flux (lm)Tq=25 °C	Diffuser	Efficacy (lm/W)	Max. ambient temperature (°C)	Version	Weight (kg)	Code
192	23	4080	3400	Glass	148	+60	On/Off	4.60	<b>821172EX</b>
192	36	6200	5180	Glass	144	+50	On/Off	4.60	<b>821272EX</b>
192	56	9450	7870	Glass	140	+45	On/Off	4.60	<b>821372EX</b>
192	71	11550	9623	Glass	136	+35	On/Off	4.60	<b>821472EX</b>

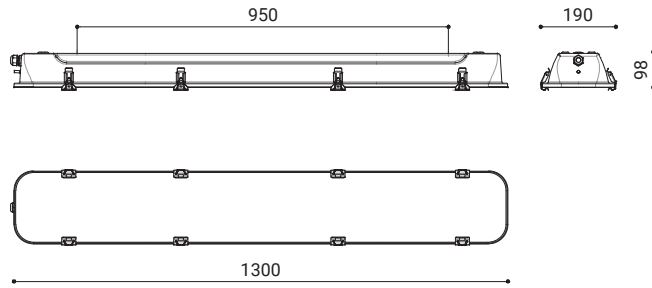
2G - 2D  
Stainless steel  
Emergency



192	36	6200	5180 (967 in EM)	Glass	144	+45	On/Off Emergency 1h	5.30	<b>821270EX</b>
192	71	9450	9623 (912 in EM)	Glass	136	+35	On/Off Emergency 1h	5.30	<b>821470EX</b>
192	36	6200	5180 (420 in EM)	Glass	144	+45	On/Off Emergency 3h	5.30	<b>821273EX</b>
192	71	9450	9623 (414 in EM)	Glass	136	+35	On/Off Emergency 3h	5.30	<b>821473EX</b>



RINOLED-EX | Zone 1, 2, 21, 22 | 1300 mm

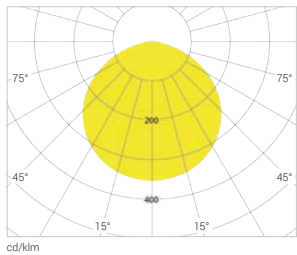


Class I

IP65

IP66

IK09



Symmetrical 110° extra wide beam optics

Included: pair of AISI 304 stainless steel eyebolts for pendant mounting.  
The stated flux and power values may be subject to a +/-7% tolerance.

2G - 2D  
Stainless steel



No. of LEDs	Power (W)	Nominal flux (lm)Tj=25 °C	Output flux (lm)Tq=25 °C	Diffuser	Efficacy (lm/W)	Max. ambient temperature (°C)	Version	Weight (kg)	Code
192	47	8200	6831	Glass	145	+60	On/Off	7.20	<b>821572EX</b>
192	71	11690	9736	Glass	137	+45	On/Off	7.20	<b>821672EX</b>
384	86	14800	12353	Glass	144	+45	DALI	7.20	<b>821772EX</b>

2G - 2D  
Stainless steel  
Emergency



192	71	11690	9736 (925 in EM)	Glass	137	+45	On/Off Emergency 1h	7.80	<b>821670EX</b>
384	86	14800	12353 (930 in EM)	Glass	144	+45	On/Off Emergency 1h	7.80	<b>821770EX</b>
192	71	11690	9736 (420 in EM)	Glass	137	+45	On/Off Emergency 3h	7.80	<b>821673EX</b>
384	86	14800	12353 (400 in EM)	Glass	144	+45	On/Off Emergency 3h	7.80	<b>821773EX</b>

Accessories RINOLED-EX on page 169

## RINOLED-EX | Zone 2, 21, 22

**WARRANTY**

2 YEARS OPTIONALLY EXTENDABLE TO 7

**DIRECTIVES**

2014/30/EU (EMC)  
2014/34/EU (ATEX)  
2011/65/EU (RoHS)  
2012/19/EU (WEEE)

**PRODUCT STANDARDS**

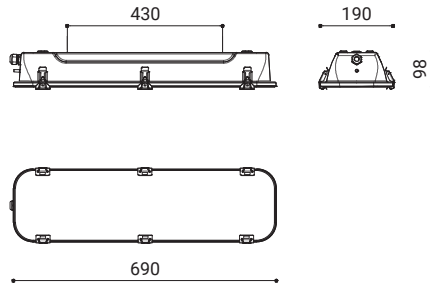
EN 55015  
EN 60079-0  
EN 60079-18  
EN 60079-31  
EN 60079-7  
EN 60598-1  
EN 60598-2-1  
EN 60598-2-22  
EN 61000-3-2  
EN 61000-3-3  
EN 61547  
EN 62311  
EN 62493  
EN 62471  
IEC/TR 62778  
EN 63000

Atex execution - Gas	<b>II 3G - Ex ec mc IIC T6/T5 Gc</b>
Atex execution - Dust	<b>II 2D Ex tb IIIC T 85 °C Db</b>
Body material	<b>AISI 304 stainless steel Painted galvanised steel</b>
Surface treatment	<b>Fluorozirconate passivation</b>
Surface finish	<b>Non-toxic, hot-polymerised polyester paint</b>
Colour	<b>RAL 9016</b>
Diffuser material	<b>Extra clear tempered glass</b>
Protection rating	<b>IP66 - IP65 according to IEC 60079-0 and 60598-1</b>
Impact resistance	<b>IK09 as per IEC 62262</b>
Corrosion class	<b>C5 AISI 304 stainless steel (ISO 9223)</b>
Mounting system	<b>Pair of eyebolts in AISI 304 stainless steel</b>
Ambient operating temperature	<b>-35 °C - +55 °C (-40 °C on request) 0 °C - +45 °C (emergency versions)</b>
Ambient storage temperature	<b>-40 °C - +70 °C -30 °C - +50 °C (emergency versions)</b>
Actual efficacy of the device	<b>Up to 137 lm/W</b>
Colour temperature	<b>4000K</b>
Optics features	<b>Non-ageing, UV-resistant PMMA lenses with &gt; 90% efficiency and &gt; 95% transparency</b>
Colour rendering index values	<b>CRI≥80 according to EN 62717</b>
Colour consistency	<b>MacAdam 3-step</b>
Photobiological risk	<b>RG0 - Exempt Group (EN 62471)</b>
Residual flicker	<b>&lt;4%</b>
Luminous flux maintenance	<b>L80 B10 50,000 h Tq=+25 °C</b>
Insulation class	<b>I</b>
Supply voltage	<b>220V-240V~ - 180-240Vdc 0/50/60Hz</b>
Surge protection	<b>6 kV common and differential modes according to EN61000-4-5</b>
Power factor	<b>&gt;0.95</b>
Type of power supply	<b>Spring clamps and M20 cable gland</b>
Max. conductor cross-section	<b>1-2.5 mm<sup>2</sup></b>
Entry cable diameter	<b>10-14 mm</b>

**Special versions can be made by combining materials and optics. Versions are available with ambient temperatures down to -40 °C and up to +60 °C; with feed-through wiring, in AISI 316L stainless steel and with colour temperatures from 3000K to 6500K.**

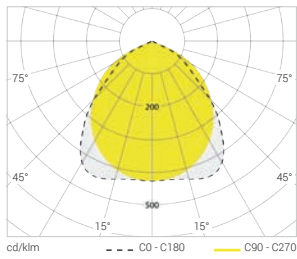
**PALAZZOLI ATEX junction boxes certified for zone 1, 2, 21, 22, complete with cable glands and terminals for the entry of cables with larger diameters and/or for through wiring, are available.**

RINOLED-EX | Zone 2, 21, 22 | 690 mm



Class I

IP65 IP66 IK09



88° symmetrical optics

Included: pair of AISI 304 stainless steel eyebolts for pendant mounting.  
The stated flux and power values may be subject to a +/-7% tolerance.

3G - 2D  
Stainless steel

+ 55 °C  
- 35 °C

No. of LEDs	Power (W)	Nominal flux (lm)Tj=25 °C	Output flux (lm)Tq=25 °C	Diffuser	Efficacy (lm/W)	Version	Weight (kg)	Code
48	26	4100	3562	Glass	137	On/Off	4.58	<b>821192EX</b>
72	38	6133	5130	Glass	135	On/Off	4.62	<b>821292EX</b>

3G - 2D  
Stainless steel  
Emergency

+ 35 °C  
0 °C

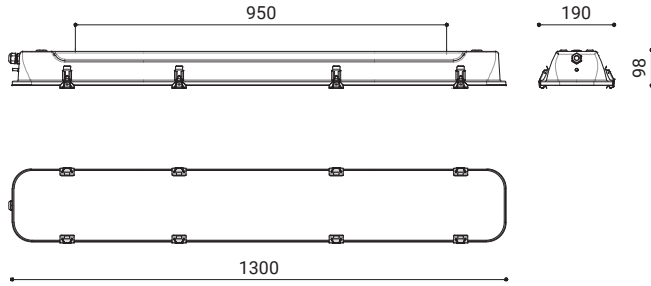
48	26	4100	3562 (770 in EM)	Glass	137	On/Off Emergency 1h	5.26	<b>821190EX</b>
72	38	6133	5130 (940 in EM)	Glass	135	On/Off Emergency 1h	5.30	<b>821290EX</b>
48	26	4100	3562 (770 in EM)	Glass	137	On/Off Emergency 3h	3.90	<b>821193EX</b>
72	38	6133	5130 (940 in EM)	Glass	135	On/Off Emergency 3h	3.90	<b>821293EX</b>

3G - 2D  
Painted galvanised  
steel

+ 55 °C  
- 35 °C

48	26	4100	3562	Glass	137	On/Off	4.96	<b>841192EX</b>
72	38	6133	5130	Glass	135	On/Off	4.62	<b>841292EX</b>

RINOLED-EX | Zone 2, 21, 22 | 1300 mm

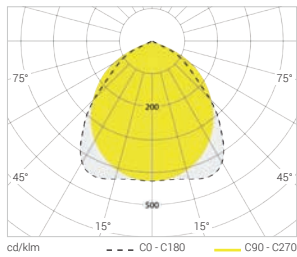


Class I

IP65

IP66

IK09



88° symmetrical optics

Included: pair of AISI 304 stainless steel eyebolts for pendant mounting.  
The stated flux and power values may be subject to a +/-7% tolerance.

3G - 2D  
Stainless steel

+ 55 °C  
- 35 °C

No. of LEDs	Power (W)	Nominal flux (lm)Tj=25 °C	Output flux (lm)Tq=25 °C	Diffuser	Efficacy (lm/W)	Version	Weight (kg)	Code
96	52	8200	7072	Glass	136	On/Off	7.23	<b>821392EX</b>
144	75	12260	10050	Glass	134	On/Off	6.27	<b>821492EX</b>

3G - 2D  
Stainless steel  
Emergency

+ 35 °C  
0 °C

96	52	8200	7072 (940 in EM)	Glass	136	On/Off Emergency 1h	7.76	<b>821390EX</b>
144	75	12260	10050 (940 in EM)	Glass	134	On/Off Emergency 1h	6.58	<b>821490EX</b>
96	52	8200	7072 (940 in EM)	Glass	136	On/Off Emergency 3h	8.54	<b>821393EX</b>
144	75	12260	10050 (940 in EM)	Glass	134	On/Off Emergency 3h	6.70	<b>821493EX</b>

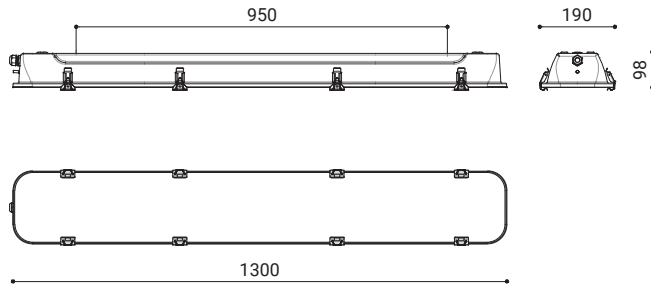
3G - 2D  
Painted galvanised  
steel

+ 55 °C  
- 35 °C

96	52	8200	7072	Glass	136	On/Off	6.37	<b>841392EX</b>
144	75	12260	10050	Glass	134	On/Off	7.96	<b>841492EX</b>

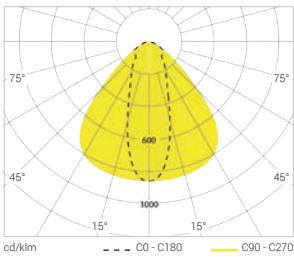


RINOLED-EX | Zone 2, 21, 22 | 1300 mm



Class  
I

IP65 IP66 IK09



Narrow beam optic 30° x 90°

Included: pair of AISI 304 stainless steel eyebolts for pendant mounting.  
The stated flux and power values may be subject to a +/-7% tolerance.

	No. of LEDs	Power (W)	Nominal flux (lm)Tj=25 °C	Output flux (lm)Tq=25 °C	Diffuser	Efficacy (lm/W)	Version	Weight (kg)	Code
<b>3G - 2D</b> Stainless steel	96	52	8200	6500	Glass	125	On/Off	6.20	<b>820392EX</b>
	144	75	12260	9525	Glass	127	On/Off	7.76	<b>820492EX</b>
<b>3G - 2D</b> Painted galvanised steel	96	52	8200	6500	Glass	125	On/Off	6.30	<b>840392EX</b>
	144	75	12260	9525	Glass	127	On/Off	6.30	<b>840492EX</b>



## Accessories RINO LED-EX



Rino LED-EX with **hooks for pendant mounting**

Pair of adjustable supports for wall or ceiling installation



Material:  
Stainless steel  
AISI 304

Code: **820010**

Pairs of "V" supports for ceiling installation



Material:  
Stainless steel  
AISI 304

Code: **820017**

Pairs of hooks for pendant mounting



Material:  
Stainless steel  
AISI 304

Code: **820011**

Pendant mounting and ceiling adaptation kit



Material:  
Stainless steel  
AISI 304

Code: **820018**

Pair of collars for installation on pipe



Material:  
Stainless steel  
AISI 304

Code: **820016**

Quick fastening kit for ceiling mounting



Material:  
Stainless steel  
AISI 304

Code: **820019**

Note: in the case of relamping, the adapter kit enables to adjust the fixing distances of the light fixture to those already present in the system.





# Pendant light fixtures

For environments where flammable gases and combustible dusts are present

# AteX



**TIGUA-EX**  
zone 1, 2, 21, 22  
5800 lm to 16550 lm  
Page 172



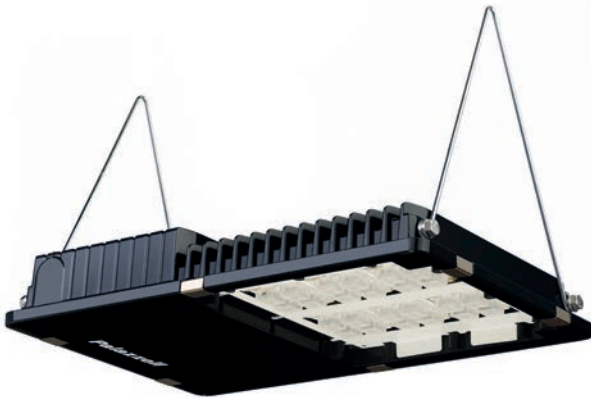
**XTIGUA-EX**  
zone 1, 2, 21, 22  
17350 lm to 33100 lm  
Page 174



**META150-EX**  
zone 2, 21, 22  
8580 lm to 19830 lm  
Page 176



## TIGUA-EX | Zone 1, 2, 21, 22 | pendant mounting



Atex execution - Gas	II 2G - Ex eb mb IIC T5 Gb
Atex execution - Dust	II 2D - Ex tb IIIC T 85 °C Db
Body material	Low-copper aluminium alloy EN 44300
Surface treatment	Fluorozirconate passivation
Surface finish	Non-toxic, hot-polymerised polyester paint
Colour	RAL 9005
Diffuser material	Extra clear tempered glass
Protection rating	IP66 according to IEC 60079-0 and 60598-1
Impact resistance	IK08 according to IEC 62262
Corrosion class	C5-M / C4-H (ISO 9223)
Mounting system	Pendant mounting
Ambient operating temperature	-35 °C - +50 °C (-40 °C on request)
Ambient storage temperature	-40 °C - +70 °C
Actual efficacy of the device	Up to 115 lm/W
Colour temperature	4000K
Optics features	UV-stabilised polycarbonate lens sealed to LED module by silicone resin
Colour rendering index values	CRI≥80 according to EN 62717
Colour consistency	MacAdam 4-step
Photobiological risk	RG0 - Exempt Group (EN 62471)
Residual flicker	<4%
Luminous flux maintenance	L90 B10 110,000 h Tq=+40 °C L90 B10 230,000 h Tq=+25 °C
Insulation class	I
Supply voltage	110V-277V 50W/72W/101W 160V-277V 144W 0/50/60Hz
Surge protection	6 kV common and differential modes according to EN61000-4-5
Power factor	>0.95
Type of power supply	Spring clamps and M20 cable gland
Max. conductor cross-section	1-2.5 mm²
Entry cable diameter	10-14 mm

Versions with dedicated optics, colour temperatures from 3000K to 6500K and ambient temperatures down to -40 °C are available.

PALAZZOLI ATEX junction boxes certified for zone 1, 2, 21, 22, complete with cable glands and terminals for the entry of cables with larger diameters and/or for through wiring, are available.



## WARRANTY

2 YEARS OPTIONALLY EXTENDABLE TO 7



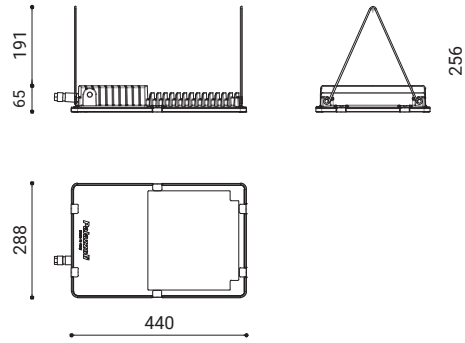
## DIRECTIVES

2014/30/EU (EMC)  
2014/34/EU (ATEX)  
2011/65/EU (RoHS)  
2012/19/EU (WEEE)

## PRODUCT STANDARDS

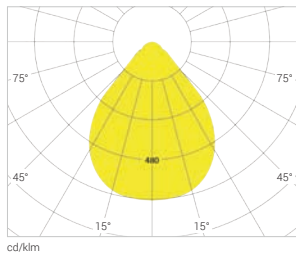
EN 55015  
EN 60079-0  
EN 60079-18  
EN 60079-31  
EN 60079-7  
EN 60598-1  
EN 60598-2-1  
EN 60598-2-5  
EN 60598-2-22  
EN 61000-3-2  
EN 61000-3-3  
EN 61547  
EN 62311  
EN 62493  
EN 62471  
IEC/TR 62778  
EN 63000

TIGUA-EX | Zone 1, 2, 21, 22 | pendant mounting



Class I

IP66 IK08



Symmetrical 81° extra wide beam optics

Included: double chain bracket and busbar.  
Recommended installation height: between 4 m and 7 m.  
The stated flux and power values have tolerances of +/- 7%.

2G - 2D



No. of LEDs	Power (W)	Nominal flux (lm) Tj=25 °C	Output flux (lm) Tq=25 °C	Diffuser	Efficacy (lm/W)	Max. ambient temperature (°C)	Version	Weight (kg)	Code
12	50	6980	5808	Glass	115	+50	DALI	6.50	<b>817031EX</b>
12	72	9950	8280	Glass	115	+40	DALI	6.50	<b>817032EX</b>
24	101	13950	11615	Glass	115	+50	DALI	7.10	<b>817033EX</b>
24	144	19850	16560	Glass	115	+40	DALI	7.10	<b>817034EX</b>

Accessories TIGUA-EX | pendant mounting

0 - 90° adjustable connection for catenary wire installation



Material: Galvanised steel

Code: **811921**

Swivelling connection 0 - 90° for double chain and busbar installation



Material: Galvanised steel

Code: **811919**

Kit with bracket for ceiling installation



Material: Galvanised steel

Code: **811916**

Set of brackets for pole installation diam. 60mm



Material: Galvanised steel

Code: **811920**

## XTIGUA-EX | Zone 1, 2, 21, 22 | pendant mounting



Atex execution - Gas	II 2G - Ex eb mb IIC T5 Gb
Atex execution - Dust	II 2D - Ex tb IIIC T 85 °C Db
Body material	Low-copper aluminium alloy EN 44300
Surface treatment	Fluorozirconate passivation
Surface finish	Non-toxic, hot-polymerised polyester paint
Colour	RAL 9005
Diffuser material	Extra clear tempered glass
Protection rating	IP66 according to IEC 60079-0 and 60598-1
Impact resistance	IK08 according to IEC 62262
Corrosion class	C5-M / C4-H (ISO 9223)
Mounting system	Pendant mounting
Ambient operating temperature	-35 °C - +50 °C (-40 °C on request)
Ambient storage temperature	-40 °C - +70 °C
Actual efficacy of the device	Up to 115 lm/W
Colour temperature	4000K
Optics features	UV-stabilised polycarbonate lens sealed to LED module by silicone resin
Colour rendering index values	CRI≥80 according to EN 62717
Colour consistency	MacAdam 4-step
Photobiological risk	RG0 - Exempt Group (EN 62471)
Residual flicker	<4%
Luminous flux maintenance	L90 B10 110,000 h Tq=+40 °C L90 B10 230,000 h Tq=+25 °C
Insulation class	I
Supply voltage	110V-277V 151W/201W 160V-277V 216W/288W 0/50/60Hz
Surge protection	6 kV common and differential modes according to EN61000-4-5
Power factor	>0.95
Type of power supply	Spring clamps and M20 cable gland
Max. conductor cross-section	1-2.5 mm²
Entry cable diameter	10-14 mm



## WARRANTY

2 YEARS OPTIONALLY EXTENDABLE TO 7



## DIRECTIVES

2014/30/EU (EMC)  
2014/34/EU (ATEX)  
2011/65/EU (RoHS)  
2012/19/EU (WEEE)

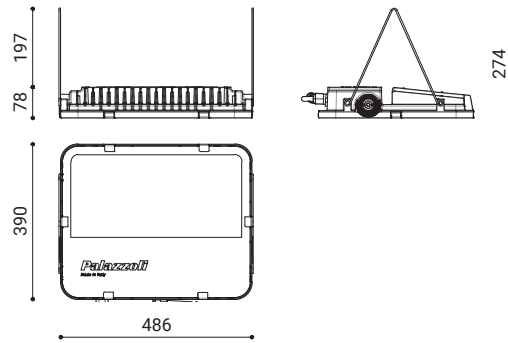
## PRODUCT STANDARDS

EN 55015  
EN 60079-0  
EN 60079-18  
EN 60079-31  
EN 60079-7  
EN 60598-1  
EN 60598-2-1  
EN 60598-2-5  
EN 60598-2-22  
EN 61000-3-2  
EN 61000-3-3  
EN 61547  
EN 62311  
EN 62493  
EN 62471  
IEC/TR 62778  
EN 63000

Versions with dedicated optics, colour temperatures from 3000K to 6500K and ambient temperatures down to -40°C are available.

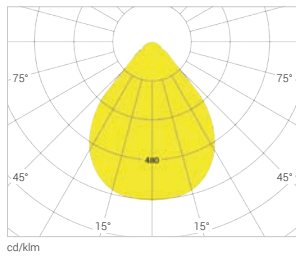
PALAZZOLI ATEX junction boxes certified for zone 1, 2, 21, 22, complete with cable glands and terminals for the entry of cables with larger diameters and/or for through wiring, are available.

**XTIGUA-EX** | Zone 1, 2, 21, 22 | pendant mounting



Class I

IP66 IK08



**Symmetrical 81° extra wide beam optics**

Included: double chain bracket and busbar.  
 Recommended installation height: between 9 m and 15 m.  
 The stated flux and power values may be subject to a +/- 7% tolerance.

	No. of LEDs	Power (W)	Nominal flux (lm)Tj=25 °C	Output flux (lm)Tq=25 °C	Diffuser	Efficacy (lm/W)	Max. ambient temperature (°C)	Version	Weight (kg)	Code
<b>2G - 2D</b>	36	151	20900	17365	Glass	115	+50	DALI	9.00	<b>818031EX</b>
	36	216	29800	24840	Glass	115	+40	DALI	9.00	<b>818032EX</b>
	48	201	27800	23115	Glass	115	+50	DALI	9.50	<b>818033EX</b>
	48	288	39800	33120	Glass	115	+40	DALI	9.50	<b>818034EX</b>

+ 50 °C  
- 35 °C

**Accessories** TIGUA-EX | pendant mounting

Adjustable connection 0 - 90° for double chain installation - size M



Material: Galvanised steel  
Code: **819994**

Adjustable connection 0 - 90° for double chain installation - size L



Material: Galvanised steel  
Code: **819995**

Kit with bracket for ceiling installation - size M



Material: Galvanised steel  
Code: **819996**

Kit with bracket for ceiling installation - size L



Material: Galvanised steel  
Code: **819997**

Note: cannot be used on the VHT 70 °C version

Note: cannot be used on the VHT 70 °C version



# META150-EX | Zone 2, 21, 22 | pendant mounting



Atex execution - Gas	II 3G - Ex ec mc IIC T5 Gc
Atex execution - Dust	II 2D - Ex tb IIIC T 85 °C Db
Body material	EN 46100 aluminium alloy
Surface treatment	Fluorozirconate passivation
Surface finish	Non-toxic, hot-polymerised polyester paint
Colour	RAL 9005
Diffuser material	Extra clear tempered glass
Protection rating	IP66 according to IEC 60079-0 and 60598-1
Impact resistance	IK08 according to IEC 62262
Corrosion class	C4-M / C3-H (ISO 9223)
Mounting system	Quick connection for pendant mounting
Ambient operating temperature	-35° C - +40° C (-40° C; +50° C on request)
Ambient storage temperature	-40° C - +70° C
Actual efficacy of the device	Up to 148 lm/W
Colour temperature	4000K
Optics features	Non-aging UV-resistant polycarbonate lenses with > 90% efficiency and > 95% transparency
Colour rendering index values	CRI≥80 according to EN 62717
Colour consistency	MacAdam 3-step
Photobiological risk	RG0 - Exempt Group (EN 62471)
Residual flicker	<4%
Luminous flux maintenance	L90 B10 110,000 h Tq=+40 °C L90 B10 230,000 h Tq=+25 °C
Insulation class	I
Supply voltage	200V-240V 60W 110V-277V 97W 160V-277V 112W/134W 0/50/60Hz
Surge protection	6 kV common and differential modes according to EN61000-4-5
Power factor	>0.95
Type of power supply	Spring clamps and M20 cable gland
Max. conductor cross-section	1-2.5 mm²
Entry cable diameter	10-14 mm

Versions with colour temperatures from 3000K to 6500K and ambient temperatures down to -40° C and up to +50° C are available.

PALAZZOLI ATEX junction boxes certified for zone 1, 2, 21, 22, complete with cable glands and terminals for the entry of cables with larger diameters and/or for through wiring, are available.



## WARRANTY

2 YEARS OPTIONALLY EXTENDABLE TO 7



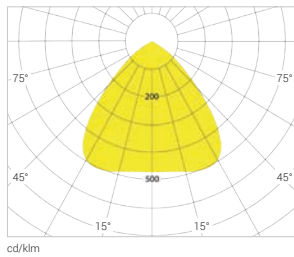
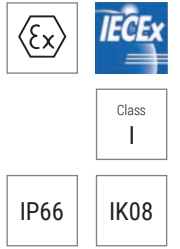
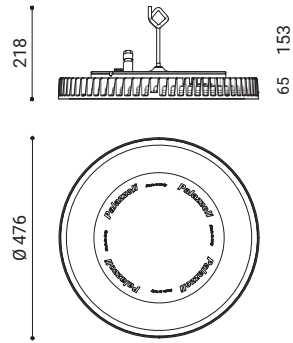
## DIRECTIVES

2014/30/EU (EMC)  
2014/34/EU (ATEX)  
2011/65/EU (RoHS)  
2012/19/EU (WEEE)

## PRODUCT STANDARDS

EN 55015  
EN 60079-0  
EN 60079-18  
EN 60079-31  
EN 60079-7  
EN 60598-1  
EN 60598-2-1  
EN 60598-2-5  
EN 60598-2-22  
EN 61000-3-2  
EN 61000-3-3  
EN 61547  
EN 62311  
EN 62493  
EN 62471  
IEC/TR 62778  
EN 63000

META150-EX | Zone 2, 21, 22 | pendant mounting



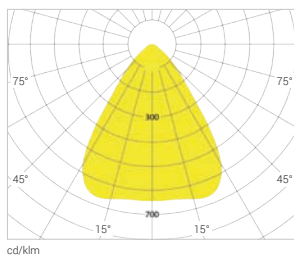
90° comfort symmetrical optics

Included: quick connection for pendant mounting.  
Recommended installation height: between 5 m and 8 m. The indicated flux and power values have tolerances of +/- 7%.

3G - 2D



No. of LEDs	Power (W)	Nominal flux (lm)Tj=25 °C	Output flux (lm)Tq=25 °C	Diffuser	Efficacy (lm/W)	Version	Weight (kg)	Code
84	60	10296	8748	Glass	146	On/Off	8.60	<b>810430EX</b>
112	97	17227	14356	Glass	148	DALI	8.74	<b>810440EX</b>
140	112	20300	16576	Glass	148	DALI	8.94	<b>810450EX</b>
168	134	24200	19832	Glass	148	DALI	9.31	<b>810460EX</b>



75° medium symmetric optics

Included: quick connection for pendant mounting.  
Recommended installation height: between 5 m and 8 m. The indicated flux and power values have tolerances of +/- 7%.

3G - 2D



No. of LEDs	Power (W)	Nominal flux (lm)Tj=25 °C	Output flux (lm)Tq=25 °C	Diffuser	Efficacy (lm/W)	Version	Weight (kg)	Code
84	60	10296	8580	Glass	143	On/Off	8.60	<b>810431EX</b>
112	97	17227	14065	Glass	145	DALI	8.74	<b>810441EX</b>
140	112	20300	16352	Glass	146	DALI	8.94	<b>810451EX</b>
168	134	24200	19564	Glass	144	DALI	9.31	<b>810461EX</b>



## Accessories META150-EX pendant mounting



META150-EX fitted with **Bracket for ceiling installation**

Adjustable bracket for wall, pole and light-tower installation.



Material:  
Galvanised steel

Code: **810999**

Bracket for installation with 0-90° adjustable catenary wire



Material:  
Galvanised steel

Code: **810994**

Bracket for double chain and busbar installation



Material:  
Galvanised steel

Code: **810997**

0-90° swivelling attachment for double chain and busbar installation



Material:  
Galvanised steel

Code: **810996**

Bracket for ceiling installation



Material:  
Galvanised steel

Code: **810998**

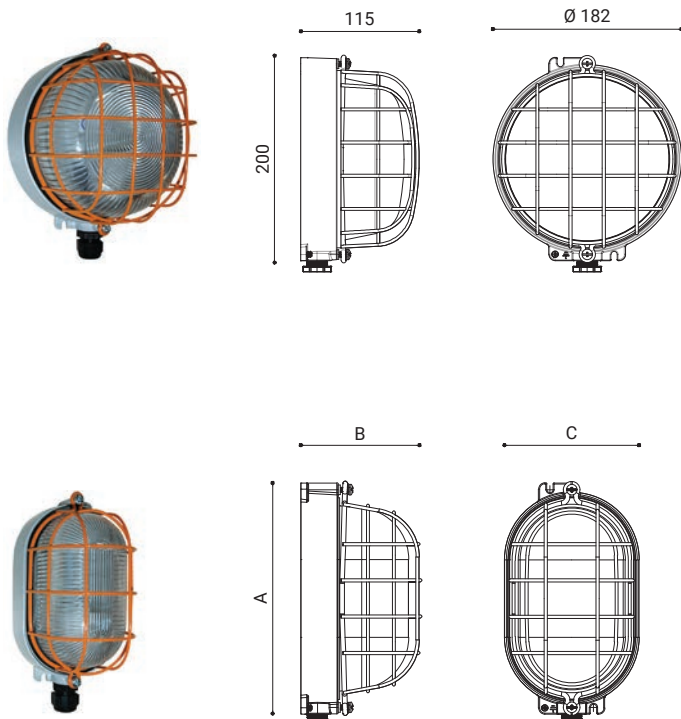
Bracket for horizontal Ø 60 mm pole installation



Material:  
Galvanised steel

Code: **810995**

# RINO-EX E27 | Zone 22



P max (W)	A (mm)	B (mm)	C (mm)
60	199	119	112
75	226	122	130
100	295	142	170

Atex execution - Dust	<b>II 3D - Ex tc IIIC T75°C Dc</b>
Body material	<b>Aluminium alloy</b>
Surface treatment	<b>Fluorozirconate passivation</b>
Diffuser material	<b>Prismatic tempered glass</b>
Protection rating	<b>IP65 according to IEC 60079-0 and 60598-1</b>
Impact resistance	<b>IK07 according to IEC 62262</b>
Mounting system	<b>Ready for wall installation</b>
Ambient operating temperature	<b>-20 °C - +40 °C</b>
Ambient storage temperature	<b>-40°C - +70°C</b>
Lamp holder type	<b>E27 porcelain</b>
Insulation class	<b>I</b>
Supply voltage	<b>230V 50-60Hz</b>
Type of power supply	<b>Spring clamps and M20 cable gland</b>
Max. conductor cross-section	<b>2.5 mm<sup>2</sup></b>
Entry cable diameter	<b>10-14 mm</b>



## DIRECTIVES

2014/34/EU (ATEX)  
2011/65/EU (RoHS)  
2012/19/EU (WEEE)

## PRODUCT STANDARDS

EN 60079-0  
EN 60079-31  
EN 60598-1  
EN 60598-2-1  
EN 63000



RINO-EX E27 | Zone 22



E27

IP65



3D  
Aluminium alloy

Power (W)	Lamp holder	No. of inputs	Version	Weight (kg)	Code
18	E27	1	On/Off	0.92	<b>831072EX</b>
28	E27	1	On/Off	1.28	<b>831172EX</b>
53	E27	1	On/Off	2.23	<b>831272EX</b>



3D  
Aluminium alloy

Power (W)	Lamp holder	No. of inputs	Version	Weight (kg)	Code
28	E27	1	On/Off	0.94	<b>830072EX</b>