



TEHDASVALO

LUMINO floodlight





LUMINO floodlight

Designed and
manufactured in Finland



Lumino, Tehdasvalo's own manufacture floodlight is suitable for outdoor lighting and indoor wall mounting installations.

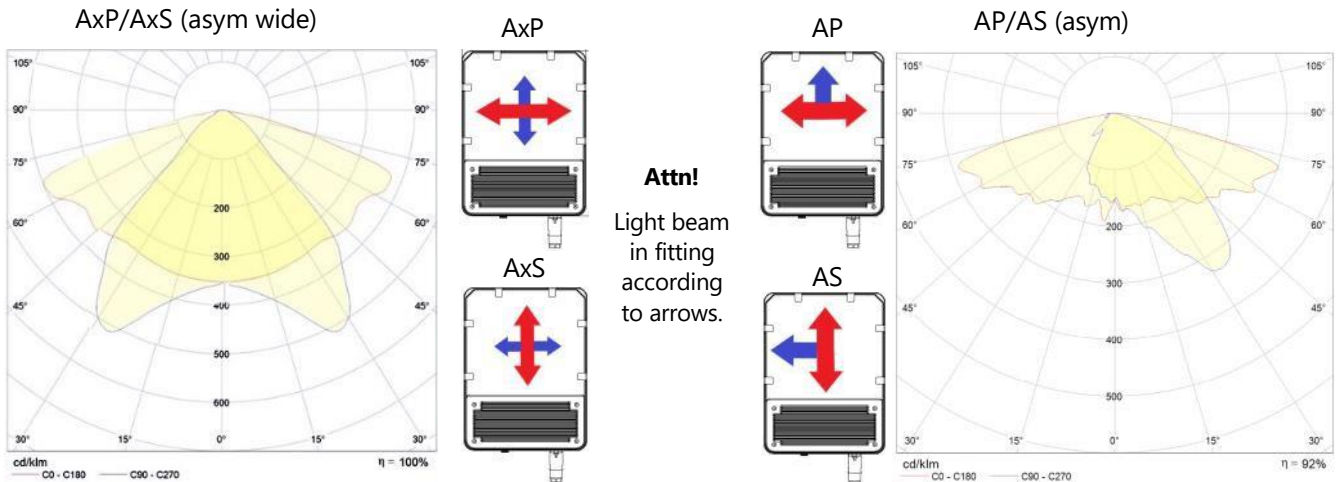
LED-components can be replaced at the end of life cycle.



LED-modules:	1-4 x 22-40W 3990-6360lm 161-179lm/W
Total power:	35W / 70W / 96W / 140W / 160W / 180W
Luminaire flux(@Ta Max):	4600—26000 Lm (126-144 lm/W)
Colour temperature:	4000K (other upon request)
Colour rendering index CRI:	≥70 (other upon request)
Operating ambient temp. Ta:	-40°C ... +60°C (Ta max varies depending on type)
Electrical class:	I
IP-rating:	IP65
Connection options:	Quick connector / plug + connection cable 1,5m / CEE17-plug (2P+E) + connection cable 1,5m
Voltage:	230V AC
Lifetime:	L90B10 >100.000h
Control options:	Dali / Motion detection (see p. 4)
Housing material:	Die-cast aluminium, polyester coating. Tempered closing glass 4mm (optionally PC or PMMA), silicon gaskets, ventilation plug. Connection box lid with screws, can be opened when installed.
Weight:	7 - 9,5 kg
Installation:	Recommendable mounting height 2-15m depending on type. Straight to wall / pole mounting with bracket 900 9 01 00 / to horizontal pipe with bracket 900 9 02 00.
Electrical components replaceable:	Yes
Luminaires max/MCB	35W: 13 / 21 / 21 / 35
B10A/B16A/C10A/C16A	70W: 7 / 12 / 11 / 19
	96W: 7 / 11 / 11 / 17
	140W/160W/180W : 5 / 8 / 8 / 12
Warranty:	5 years



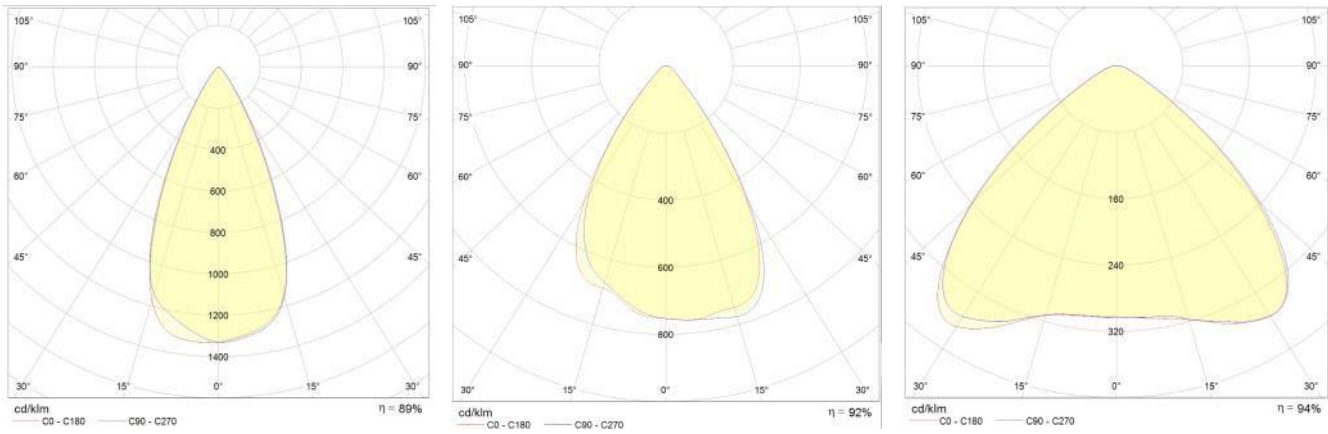
LIGHT BEAMS



B (narrow 49°)

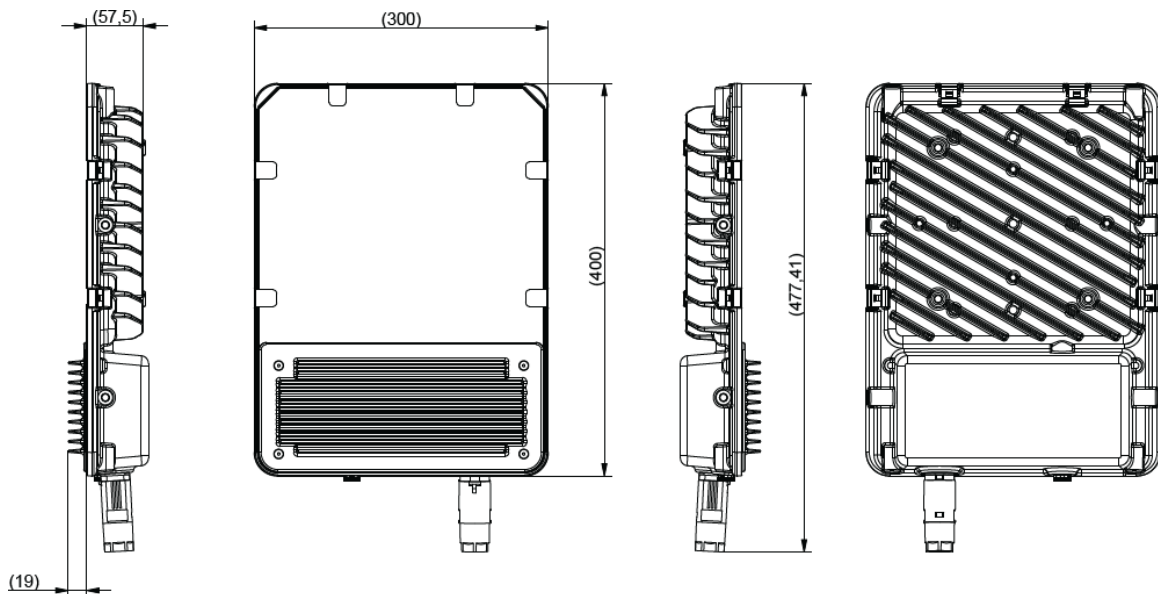
C (medium 67°)

D (wide 104°)



Attention! Other optics available upon request.

DIMENSIONS





PRODUCT CODES

Standard versions floodlight

Code	Total power	Light beam* (replace x on product code with following mark)	Net flux ** (@ Ta Max)	Ta max.	Connection	Weight Kg
035 O 60 x4	35 W	AxP / AxS / AP / AS (asym.) B / C / D (sym)	4600 –4800 Lm	60°C	Quick connector	7
070 O 60 x4	70 W	AxP / AxS / AP / AS (asym.) B / C / D (sym)	8900 –9100 Lm	50°C (special version up to Ta 60°C)	Quick connector	7,5
095 O 60 x4	96 W	AxP / AxS / AP / AS (asym.) B / C / D (sym)	12800-13200 Lm	45°C	Quick connector	7,5
140 O 60 x4	140 W	AxP / AxS / AP / AS (asym.) B / C / D (sym)	17800-18200 Lm	30°C	Quick connector	9,5
160 O 60 x4	160 W	AxP / AxS / AP / AS (asym.) B / C / D (sym)	22000-23000 Lm	30°C	Quick connector	9,5
180 O 60 x4	180 W	AxP / AxS / AP / AS (asym.) B / C / D (sym)	25000-26000 Lm	30°C	Quick connector	9,5

*Other optics available upon request. ** Net flux varies depending on optics used.

OPTIONS

Option	Extra code
Light control	
Motion detection with central detector / push button control	LT
Dali-control	DA
Light spesific motion detection, possibility for wireless grouping	AIR
Structure	
Schuko-plug and conneciton cable 1,5m (3m / 5m upon request)	2 (replace last number)
CEE17-plug and connection cable 1,5m	17 (replace last number)
PC-diffuser	PC
PMMA-diffuser (acryl, HACCP-approved)	PM



MOUNTING EQUIPMENT

Product code	Specification	Material	Weight
900 9 01 00	Pole bracket For Ø60 mm pole	Steel, polyester powder coating	2,3 kg
900 9 02 00	Pipe bracket For Ø38-60mm pipe	Steel, polyester powder coating	1 kg
900 T 60 30	Telescopic pole 2,25...3m, locking every 250mm	Hot dip galvanized steel	22 kg
900 T 60 30 RST	Telescopic pole RST 2,25...3m, locking every 250mm	Stainless steel	22 kg
900 R 60 25	Pivotable R-lamp post, D 60mm H 2,5m	Hot dip galvanized steel	19 kg

900 9 01 00 Pole bracket
For Lumino floodlight



900 9 02 00 Pole bracket
For Lumino floodlight

