

PC LED

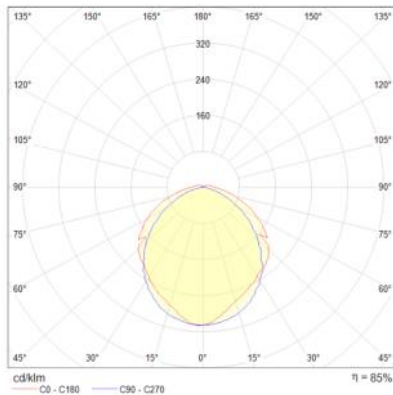
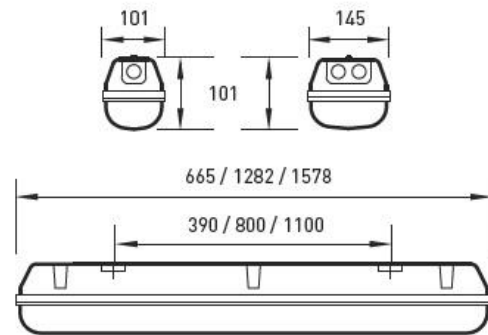


LED **CE**      **IP66** T_a **35°C** **SELV** 

Light source:	LED-modules
Total power:	14 / 28 / 56 W
Luminaire net flux:	2000 / 4000 / 8000 Lm (143 lm/W)
Colour temperature:	4000K
CRI:	≥80 (other available upon request)
MacAdam:	3 SDCM
Ta:	-25°C ... +35°C
Electrical class:	I
Protection rating:	IP66
Connection:	-0- 5x2,5mm ² (with light control -0- 7x2,5mm ²) / 1,5m connection cable + plug / 1,5m connection cable + CEE17-plug (2P+E)
Voltage:	230V AC 50-60Hz
Lifetime:	L80B50 >70.000h, L70B50 100.000h
Control options:	Dali / Motion detection
Housing:	Injected polycarbonate (PC) in grey (RAL 7035), equipped with a high quality bi-component polyurethane gasket for extreme durability. Available in 3 sizes.
Cover:	Injected opal polycarbonate (PC); high mechanical strength and shock resistance.
Weight:	3 kg
Mounting:	Recommendable mounting height 2-5m. Straight to ceiling, cable tray or lighting suspension rail with included standard mounting clips.
Suitable brackets:	Mounting to ceiling and wall with adjustable swivelling support 820000
Applications:	General applications; electrical or other technical rooms, walkways, small stocks
Warranty:	5 years
Electrical components replaceable:	Yes

MAX LUMINAIRE QUANTITY / MCB

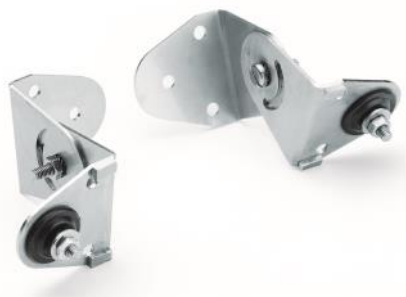
Luminaire type	B10A	B16A	C10A	C16A
14W, 28W	21	34	33	54
56W	8	13	12	20

**LIGHT BEAM****DIMENSIONS****PRODUCT CODES**

Code	Specification / housing dimensions	Total power (W)	Net flux (lm)	Connection	Weight (kg)
017 O 38 D1	PC LED 700/145	14	2000	-0- 5x2,5mm ²	2,7
017 O 38 D2	PC LED 700/145	14	2000	Plug	3
034 O 38 D1	PC LED 700/145	28	4000	-0- 5x2,5mm ²	2,7
034 O 38 D2	PC LED 700/145	28	4000	Plug	3
034 O 37 D1	PC LED 1300/100	28	4000	-0- 5x2,5mm ²	2,7
034 O 37 D2	PC LED 1300/100	28	4000	Plug	3
068 O 38 D1	PC LED 1300/145	56	8000	-0- 5x2,5mm ²	2,7
068 O 38 D2	PC LED 1300/145	56	8000	Plug	3
068 O 38 D1 DA	PC LED 1300/145	56	8000	-0- 7x2,5mm ²	2,7

OPTIONS

Option	Extra code to the end of product code
Motion detection	LT
Dali-control	DA
CEE17-plug and connection cable 1,5m	17 (replaces the last number)
LED-tubes	Available upon request
Emergency function with 1h battery (Attn! With battery: power 3W, min. 250lm)	V

ACCESSORIES

Code	820000
Specification	Adjustable wall bracket 820000
Material	Stainless steel AISI 304, fixing screws stainless steel
Adjustment	Stepless vertical orientation
Weight	0,5kg